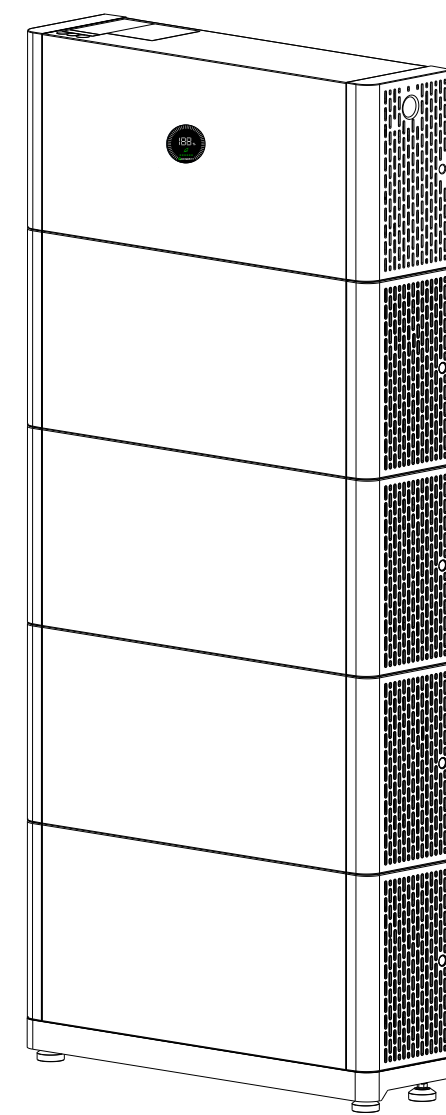


Quick Installation Manual
APX 5.0~30.0P-S2



Environmental conditions

Max.+50°C Min.-10°C RH.+5%~+95%

Installation tools

M6

System size Unit:mm

APX 98034-P2 (Power Module) 690 185 205

APX 5.0P-B1 (Battery Module) 690 185 205

1.Check

1-1 Check APX 98034-P2 List

Please note the following accessories

APX 98034-P2 (PM)

System cable

to PCS

to PCS

to PE

to Battery Module

Operation manual *1

Quick installation manual *1

Warranty Card *1

Install-location card *1

Protective rubber ring *4

Anti tipping plate *2

M6 explosive screw *2

M6x12 stainless steel screws *1

M4x9 stainless steel screws *3

Left trim-cover*1

Right trim-cover*1

1-2 Check APX 5.0P-B1 List

APX 5.0P-B1 (BM)

Parallel cable *1

Trim-cover *2

Warranty card *1

Anti tipping plate *2

M6 explosive screw *2

M4x9 stainless steel screws *3

1-3 Check accessories

APX 98034-P2

APX 5.0P-B1

Wall bracket *4

APX 5.0P-B1 Parallel extension cable

APX 5.0P-B1 Base

Cascading cable

Battery Capacity	Floor Installation Compound Mode	Wall-Mounted Installation Compound Mode
5kWh	A+B+E	A+B+C
10kWh	A+B*2+E	A+B*2+C
15kWh	A+B*3+E	A+B*3+C
20kWh	A+B*4+E	A+B*4+C
25kWh	A+B*5+E*2+D	A+B*5+C*2+D
30kWh	A+B*6+E*2+D	A+B*6+C*2+D
40kWh	A*2+B*8+E*2+F	A*2+B*8+C*2+F
50kWh	A*2+B*10+E*4+D*2+F	A*2+B*10+C*4+D*2+F
60kWh	A*2+B*12+E*4+D*2+F	A*2+B*12+C*4+D*2+F

2.Install Environment

Note: Build sun&rain shade for modules to avoid the direct exposure of sunlight and rain.

3.Floor installation with base

3-1 Installation Location Requirements

Note: For floor installation with base, the maximum stack number of the battery is six. But if the battery number is greater than four, we recommend stacking them in two lines.

3-2 Installation Procedure Unit:mm

Mounting Hole Dimensions

643

20kWh

15kWh

10kWh

5kWh

305

600

895

1190

1485

Left

Right

1

Install the connecting pieces on both sides and tighten the two screws.

Keep the level of Battery Module

Install the anti tipping plate on both sides and tighten the two screws.

Make a mark on wall to punch then fix the module

2

Install-location card ensures alignment marks on the wall.

fix the M6 explosive screw in the wall.

M6 explosive screw

Dia 8.0mm

Deep45~50mm

3

Install the connecting pieces on both sides and tighten the two screws.

secure the module on both sides to the wall.

Loosen two screw, move up handle on both sides.

Tighten the two screws, fix the two battery modules.

4

Loosen two screw, move up handle on both sides.

Tighten the two screws, fix the battery and the power modules.

Install the connecting pieces on both sides and tighten the two screws.

secure the module on both sides to the wall.

4. Wall-Mounted Installation Process

4-1 Installation Location Requirements

Note: The number of wall-mount installations should not exceed five. Please make sure that the weight capacity of wall should exceed 280kg.

4-2 Installation Procedure Unit:mm

Mounting Hole Dimensions

643

20kWh

15kWh

10kWh

5kWh

245

540

835

1130

1425

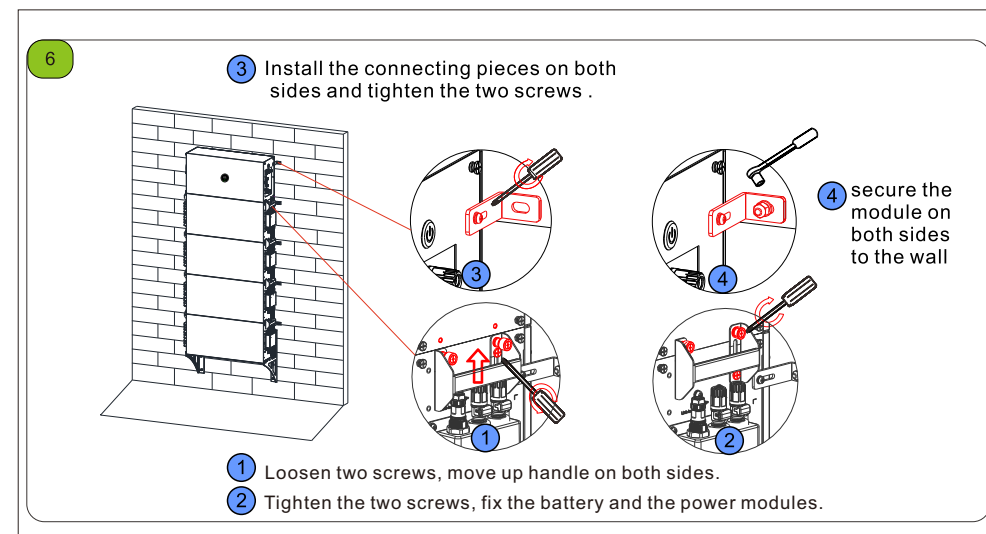
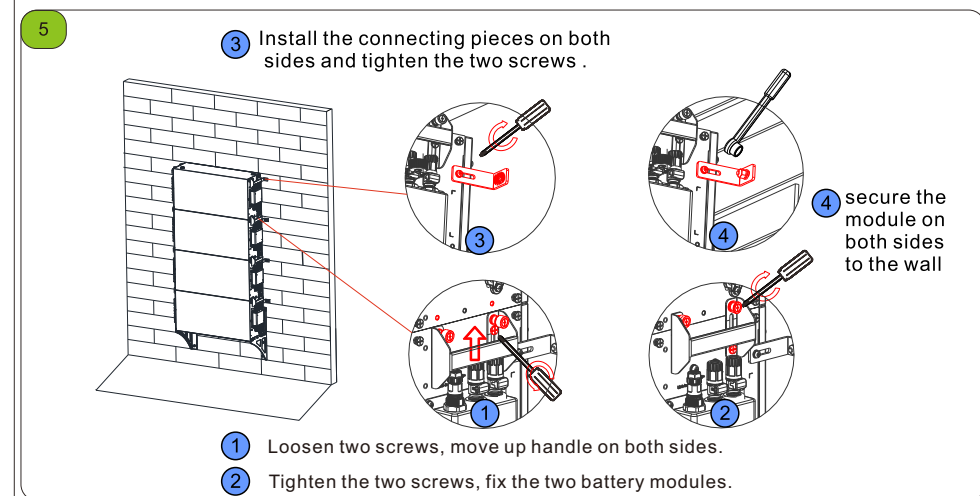
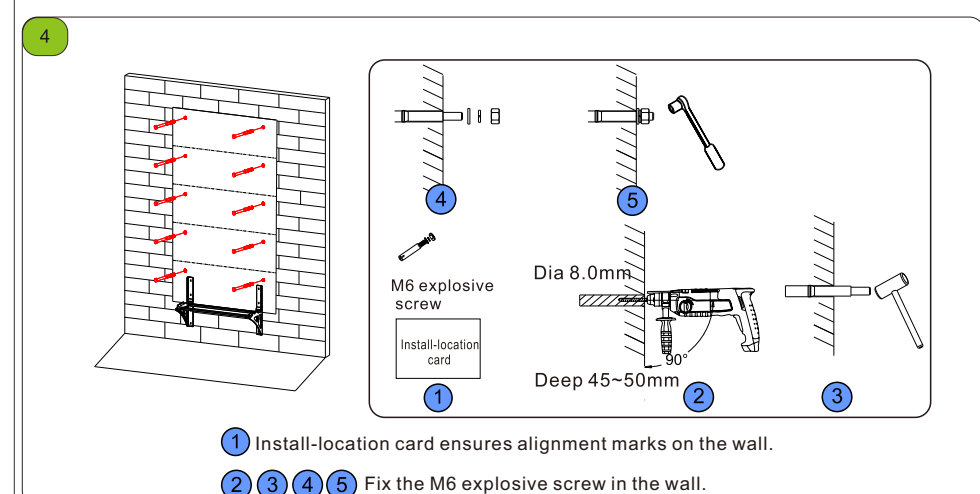
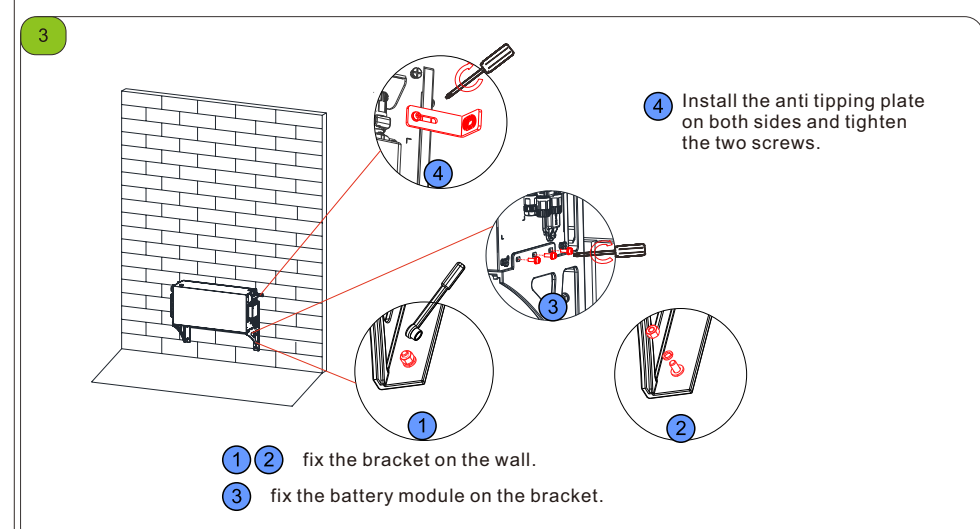
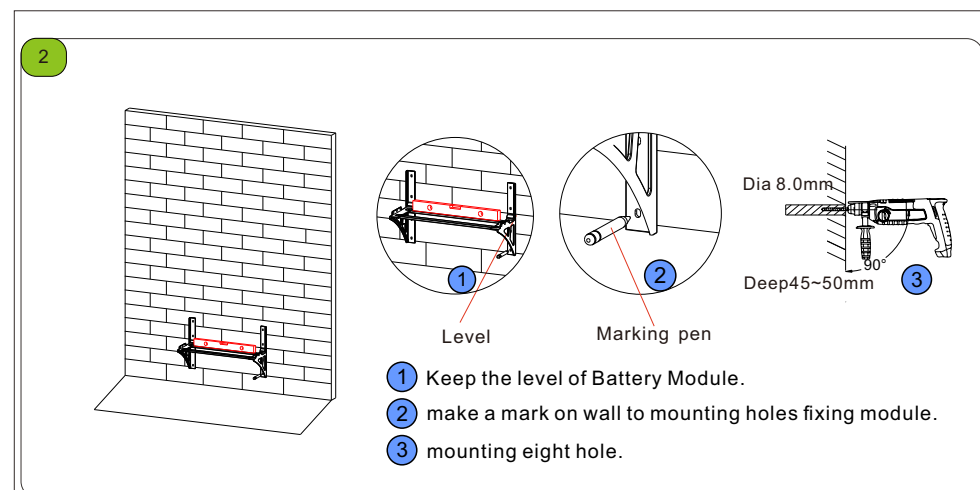
330

120

Left

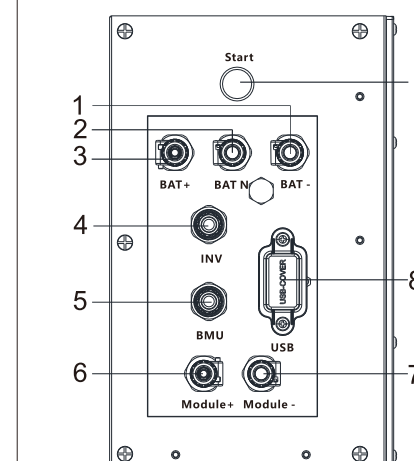
Right

install the wall bracket



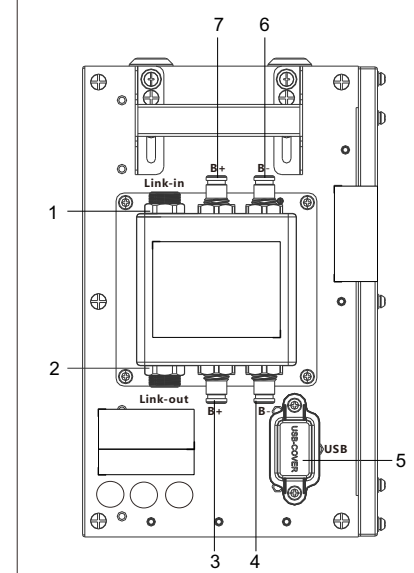
5.Wire Connection

5-1 APX 98034-P2 Connection end face introduction



1	BAT -	Battery negative terminal to PCS
2	BAT N	Battery neutral terminal to PCS
3	BAT +	Battery positive terminal to PCS
4	INV	Inverter communication to PCS
5	BMU	Battery module communication to battery(Link-in) module
6	Module+	Battery module positive terminal to battery(B+) module
7	Module-	Battery module negative terminal to battery(B-) module
8	USB	USB terminal
9	Start	Start key

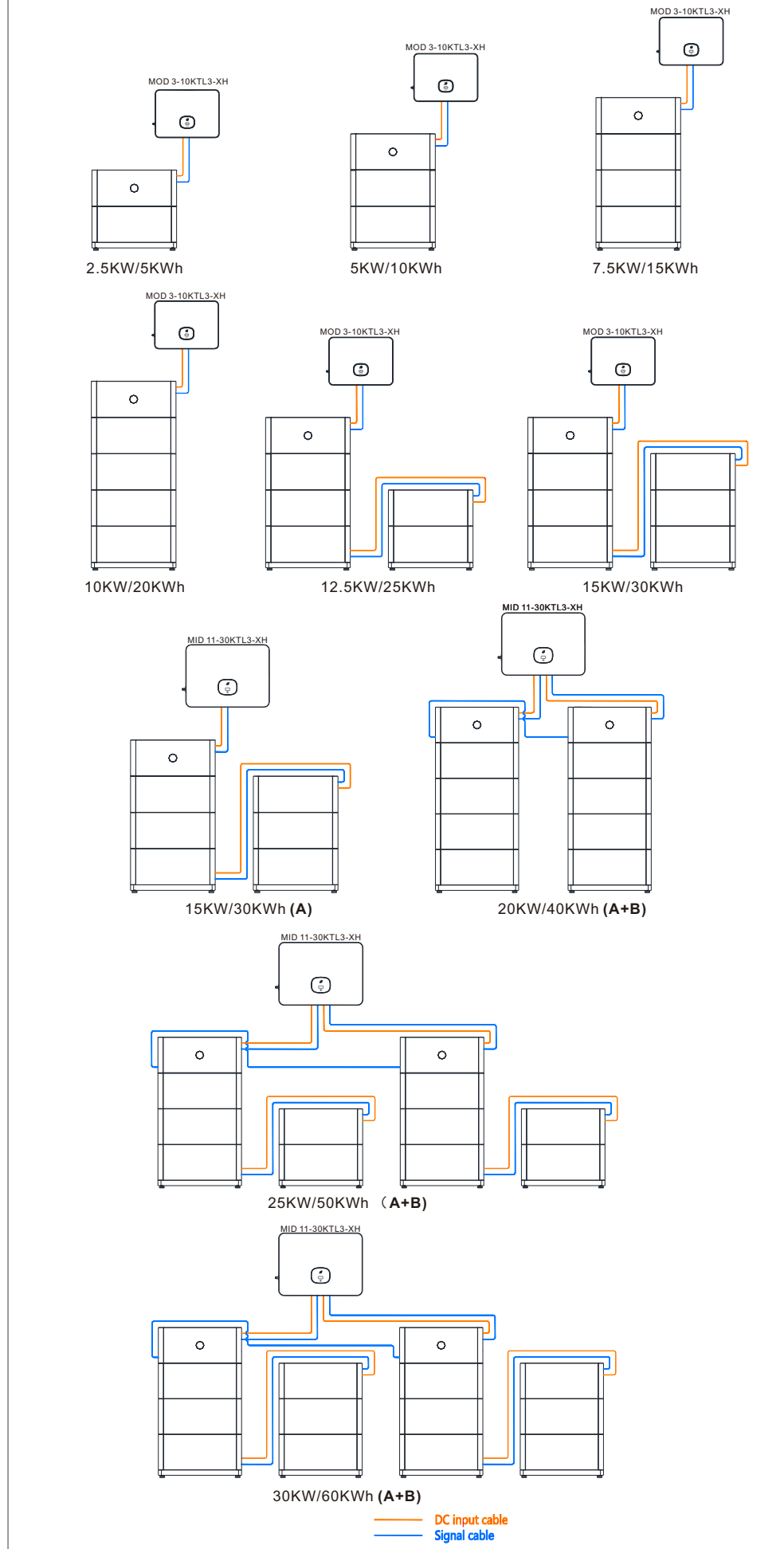
5-2 APX 5.0P-B1 Connection end face introduction



1	Link-in	Link-in communication to another battery(Link-out) or power module(BMU)
2	Link-out	Link-out communication to another battery(Link-in) module
3	B+	Battery positive terminal to another battery(B+) module
4	B-	Battery negative terminal to another battery(B-) module
5	USB	USB terminal
6	B-	Battery negative terminal to another battery(B-) or power module (Module-)
7	B+	Battery positive terminal to another battery(B+) or power module (Module+)

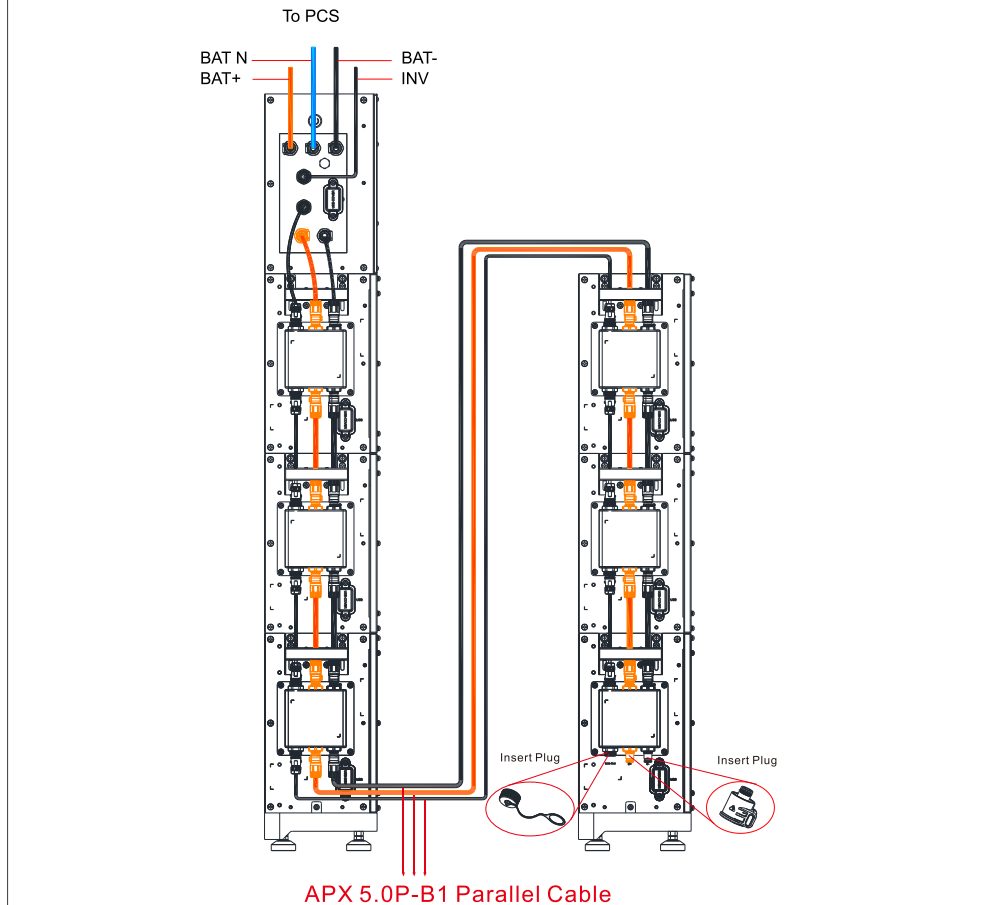
5-3 Battery Capacity Description

The battery supports power and capacity expansion. Two power control modules can be connected in parallel. One power control module supports a maximum of four battery expansion modules.

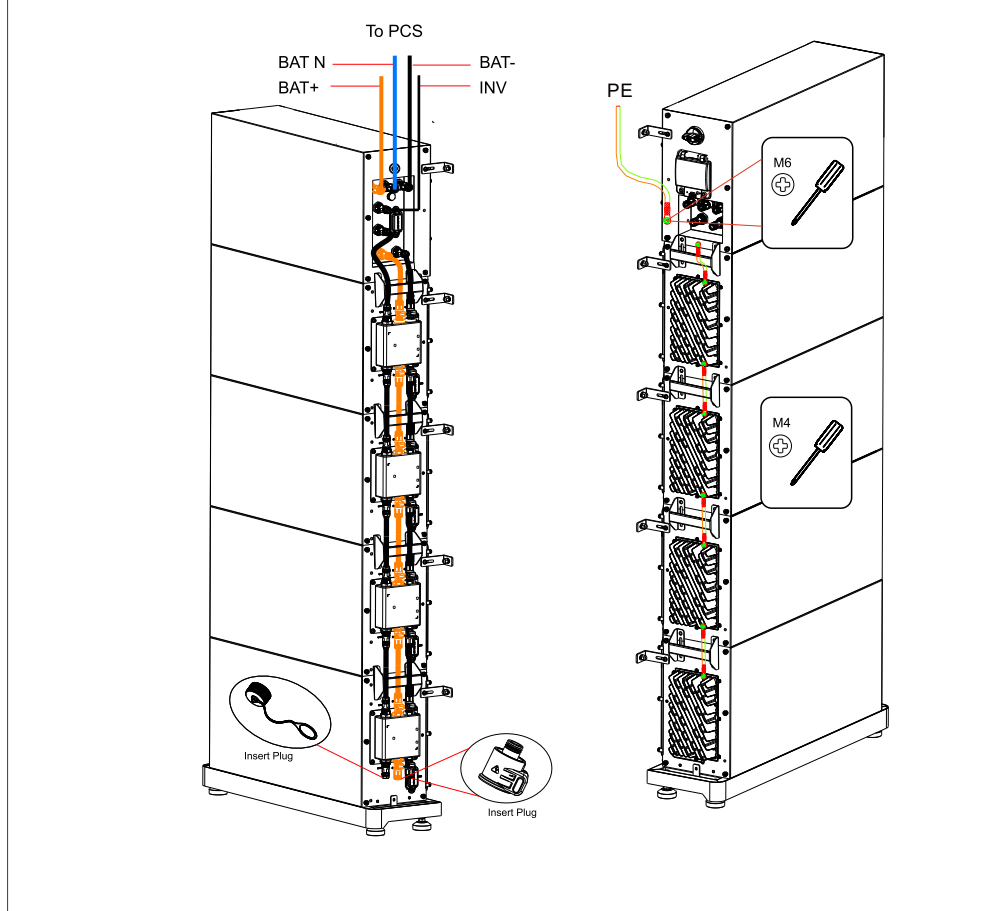


DC input cable
Signal cable

5-4 Diagram of wiring connection

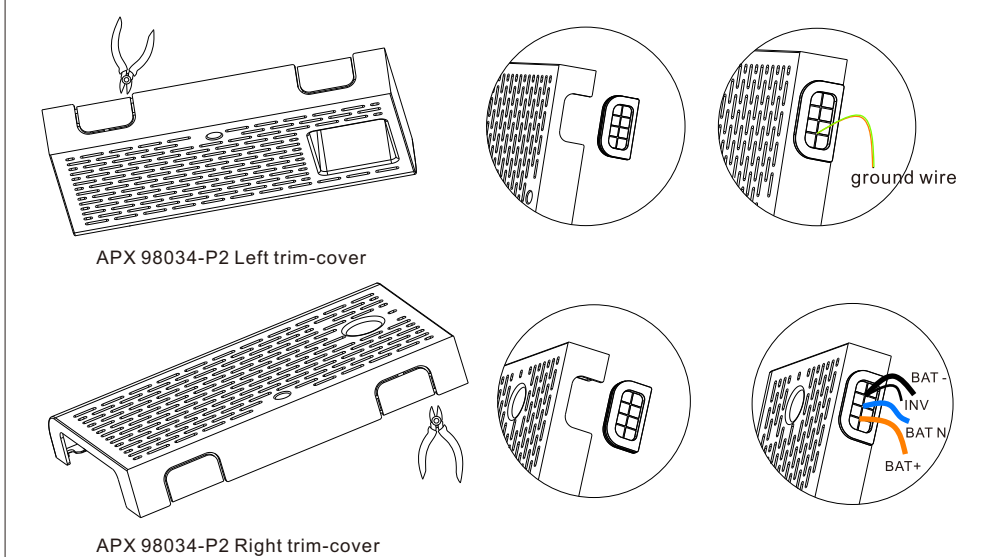


wire connection sequence:
ground cable → communication cable → power cable



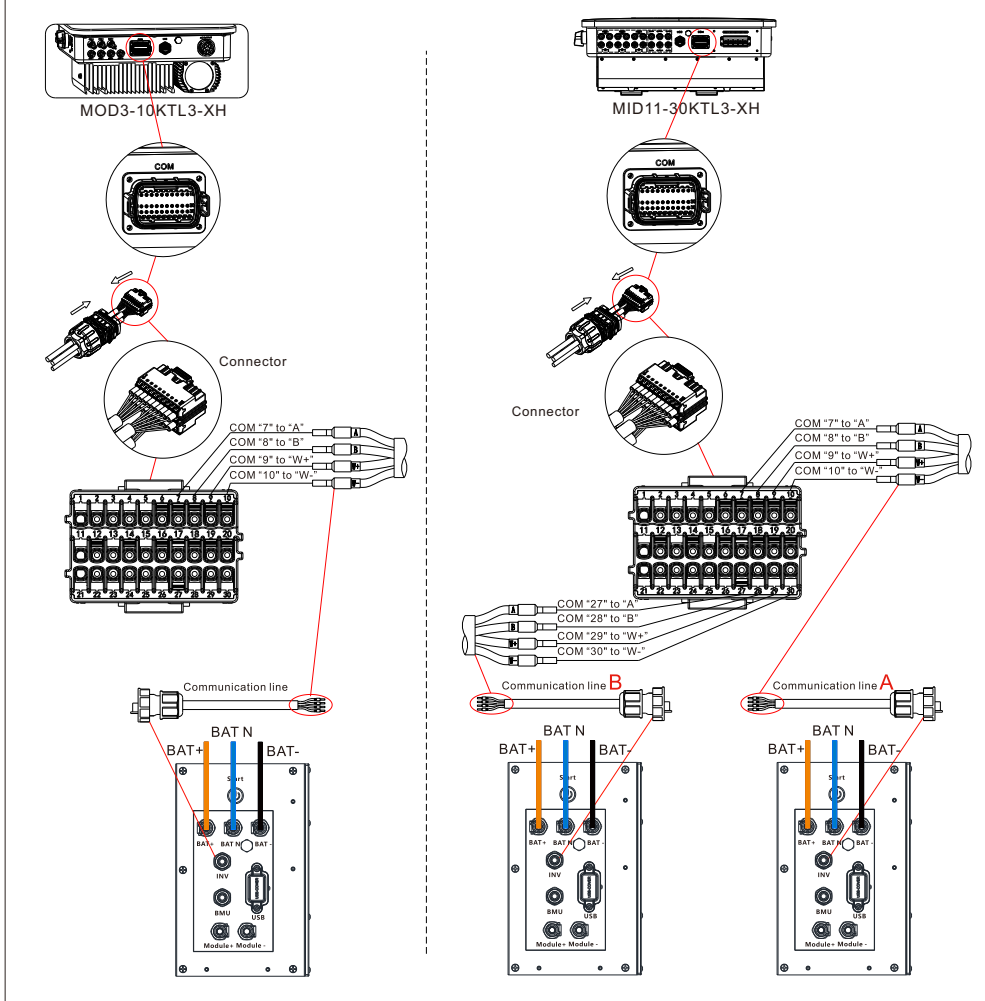
Note: It is not recommended to install a DC circuit breaker between the battery system and the PCS, If you want to install a DC circuit breaker with rated working voltage greater than 1000V and rated working current greater than 63A, do not operate the DC circuit breaker with power on, otherwise the machine may be damaged.

5-5 Routing Cables Out of the Cable Hole

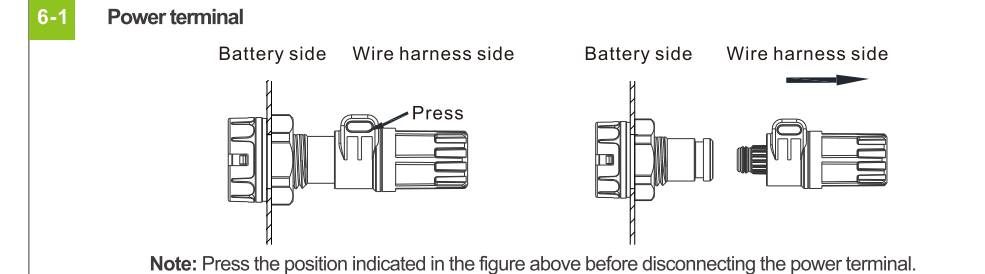


5-6 Communication port connection

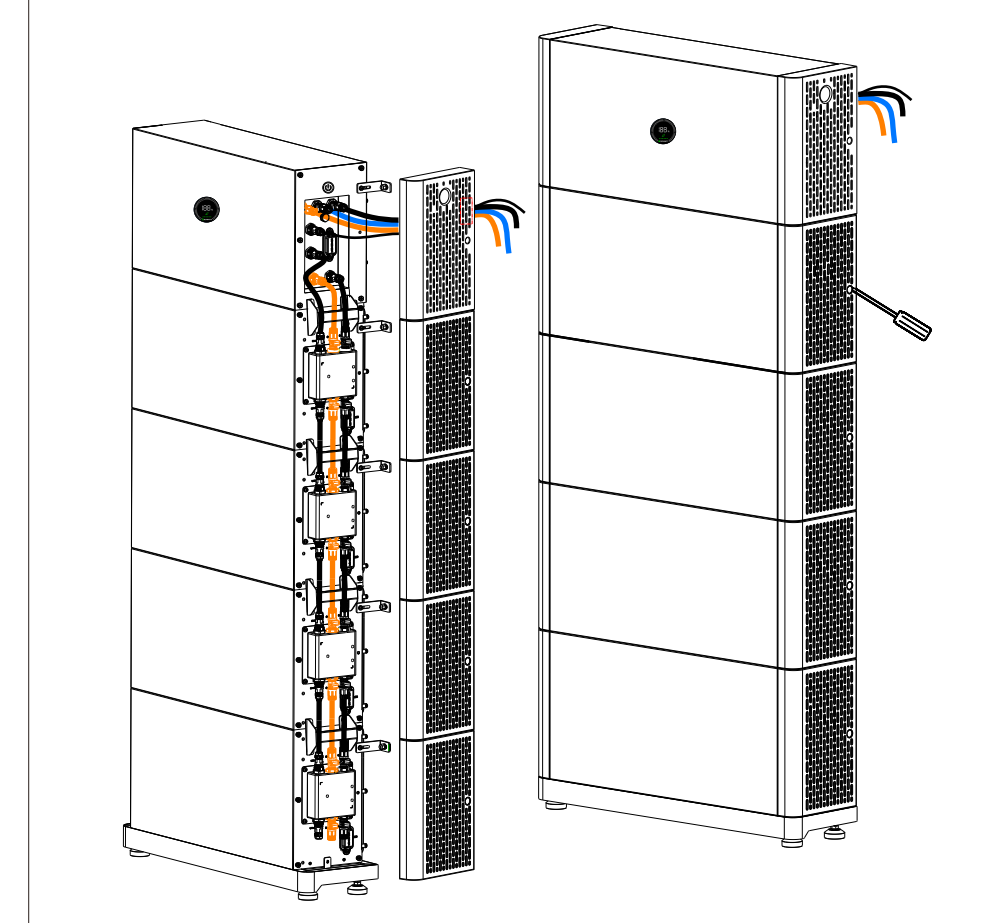
APX 5.0-30.0P-S2			MOD 3-10KTL3-XH			MID 11-30KTL3-XH			
Silk screen	Terminal serial number	Definition	Silk screen	Terminal serial number	Definition	Silk screen	Terminal serial number	Definition	
INV	1	WAKE-(W-)	COM	10	BAT.EN-	A	10	30	BAT.EN-
	2	WAKE+(W+)		9	BAT.EN+		B	9	29
	7	RS485_B(B)		8	RS485B2	8		28	RS485B2
	8	RS485_A(A)		7	RS485A2	7	27	RS485A2	



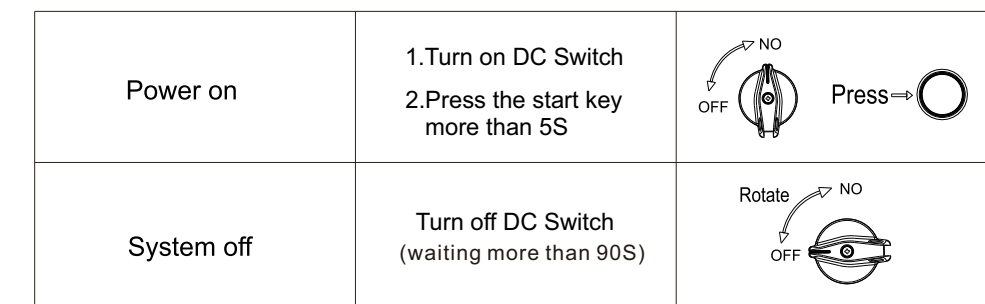
6.Terminal Connection



6-2 Install Trim-cover



7.Key operation



Note: When multiple battery systems are used in parallel connection, you only need to press the start key of and module to start the system.

8.Service and contact

Shenzhen Growatt New Energy Co., Ltd
4-13/F, Building A, Sino-German(Europe) Industrial Park, Hangcheng Ave, Bao'an District, Shenzhen, China
+86 755 2747 1942 service@ginverter.com
Www.ginverter.com

Download Manual

GR-UM-289-A-00